

Hybrid Series



GEN-9101N

Network Paging Console

The GEN-9101N is a PoE-enabled network broadcast console with a built-in mixer (supporting multi-channel audio input/output and independent gain adjustment) for small-scale background music and public address. Its pre-installed IP Audio Edge Core allows unified management of 64 terminals and implements automated tasks such as scheduled broadcasting.

POE

Mixer



IP Audio Edge Core

MAIN FEATURES

▲ Mixing Control Function

This device supports multiple types of audio input, including microphone (MIC), Bluetooth, line-in, and USB input. It can mix all input audio signals and output them uniformly, and each audio input channel allows independent parameter adjustment. It is fully capable of replacing professional mixers in small-scale scenarios, and can fully meet the requirements of background music playback and public address services in such scenarios.

▲ Network Broadcasting Function

This device comes with a built-in IP Audio Edge Core, enabling unified management of up to 64 network terminals and supporting multiple broadcasting modes including emergency broadcasting, scheduled broadcasting, real-time broadcasting, and alarm-linked broadcasting. Users do not need to purchase additional management software, making it fully suitable for the deployment requirements of various small-scale broadcasting scenarios.

▲ Remote Control and Management

This device boasts powerful remote control capabilities, enabling real-time device management and parameter configuration via the network. Meanwhile, it has a built-in 1GB large-capacity media storage space and supports system log query function, which can monitor the device's operating status in real time, effectively ensuring the device's efficient operation and timely response, and greatly improving the convenience of system management and overall operability.

SPECIFICATION

Speaker	
Speaker Component	φ42mm full frequency
Sensitivity	77±3dB(1m/1w)
Rated power	3W
Gooseneck Microphone	
Sensitivity	-45dB±3dB
Impedance	250Ω±30%
LCD Display	
Size	4.0 inches
Resolution	480p*480p
Audio	
Audio Input 1# 2#	3.5mm audio jack
Maximum Input Voltage	500mV
Audio Output	3.5mm audio jack
Button	
Setting Shortcut Key	×1
Broadcasting Shortcut Key	×1
Intercom Shortcut Key	×1
Return Key	×1
Emergency Broadcast Key	×1
Volume Adjustment Knob	×3
IP Audio Edge Core Parameters	
Registered Terminal Quantity	64
Max Supported Zone Quantity	20
Audio Storage	1024MB
Audio File Format	WAV,MP3

SPECIFICATION

Network

Network I/F	100BASE-TX ,RJ45 Connector,Support POE IEEE 802.3af/at
Network Protocol	TCP/IP,UDP,HTTP,RTP,ARP,ICMP,NTP,DHCP
Config Method	Web Interface or DevConfig Tool

Other Interface

USB	USB 2.0
Control Input	×1, 1 x 2-Pin Phoenix Connector
Power Input	×1, DC12V
Power Switch	×1

Mechanical & Environment Properties

Mounting Method	Desktop
Installation Environment	Indoor Locations
Housing Material	Aluminum Alloy+ABS
Color	Black
Dimensions	144*144*34mm
Weight	0.55kg
Operating Temperature	0°C~+45°C
Warranty	2 Years

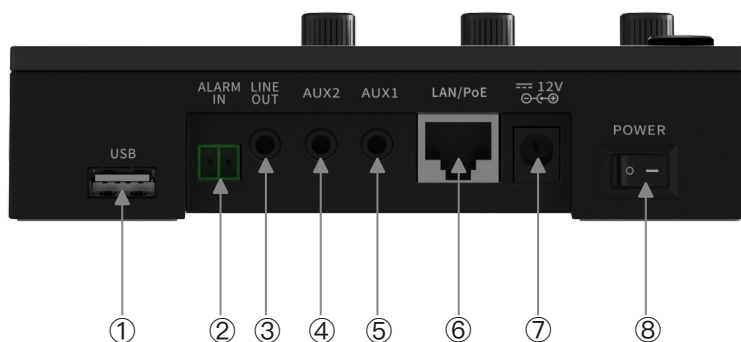
ACCESSORIES

1 × 2pin Terminal(3.81-2P)
1 × Gooseneck Microphone
1×Power Adapter(DC12V/1.5A)/Optional
1 × Installation Manual

INTERFACE DESCRIPTION

[Rear Panel]

- ① USB Port
- ② Alarm IN
- ③ Line Out
- ④ Aux Input 2#
- ⑤ Aux Input 1#
- ⑥ RJ45 Connector
- ⑦ Power Input
- ⑧ Power Switch

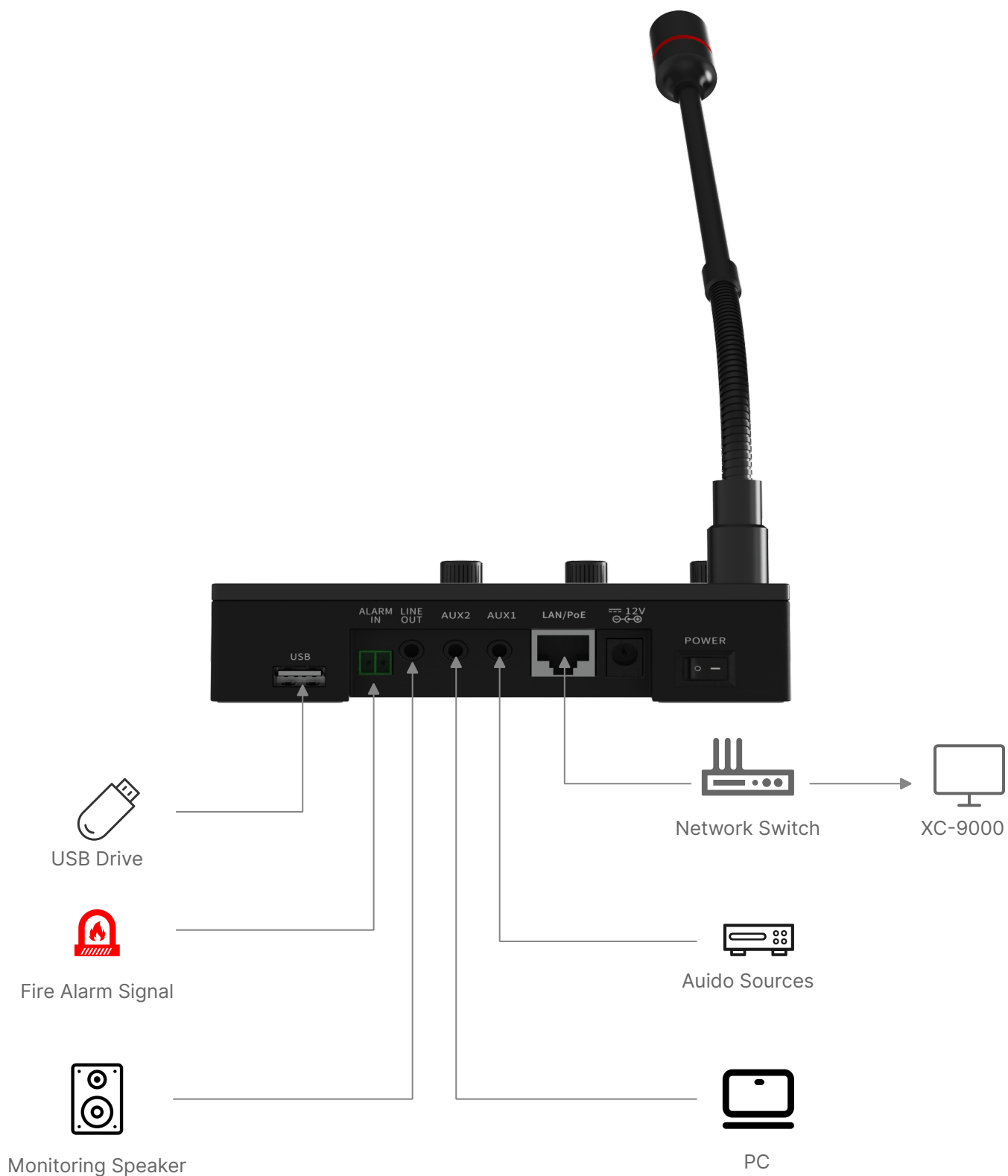


[Front Panel]



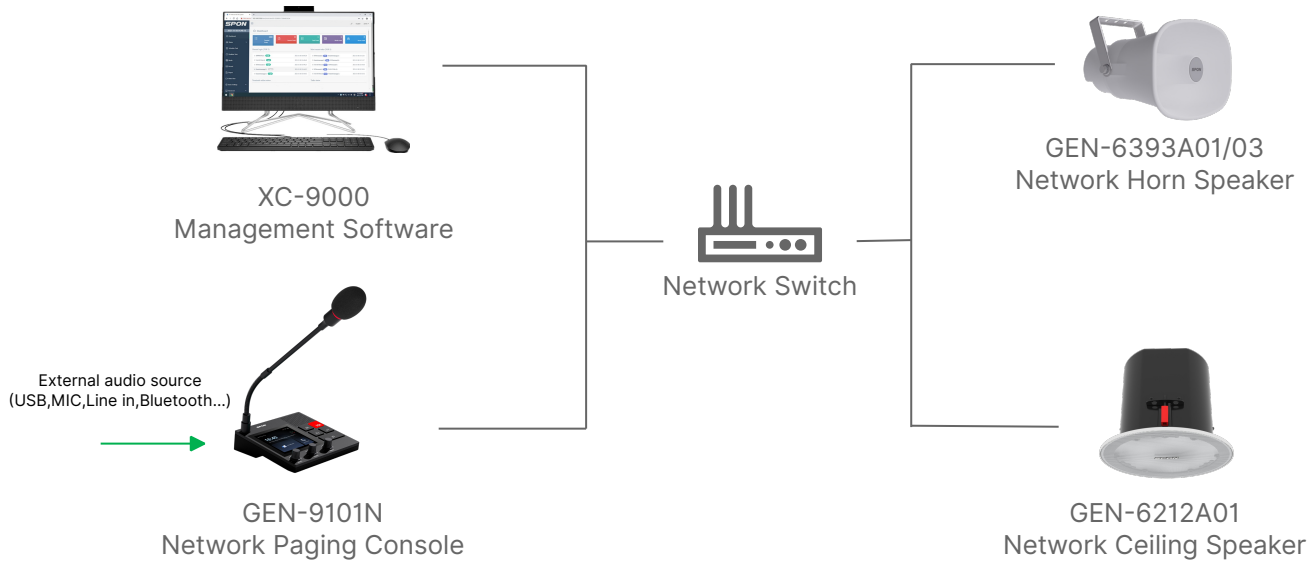
- ① AUX1 Volume Knob
- ② MIC Volume Knob
- ③ Master Volume Knob
- ④ Settings Menu Shortcut Key
- ⑤ SOS Emergency Broadcast Shortcut Key
- ⑥ Intercom Menu Shortcut Key
- ⑦ Back Shortcut Key
- ⑧ Broadcast Menu Shortcut Key
- ⑨ Gooseneck Microphone Jack
- ⑩ 4-inch Display Screen
- ⑪ Loudspeaker

CONNECTION DIAGRAM

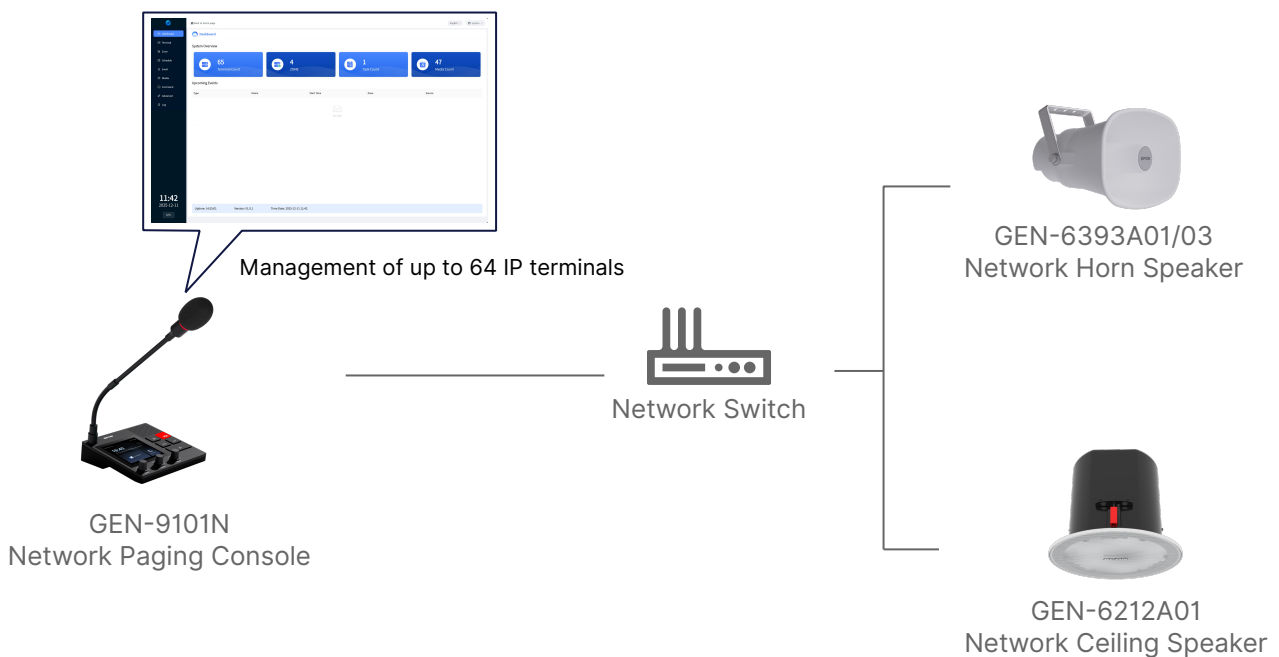


APPLICATION

The Network Paging Console GEN-9101N supports a full-featured broadcasting function, and its built-in ultra-compact mixing console enables audio mixing and unified output for 5 channels of external audio sources (including MIC, AUX1, AUX2, Bluetooth, and USB flash drive).



The GEN-9101N comes with a built-in Network Audio Server Edge module, enabling unified management of up to 64 IP terminals and supporting functions such as scheduled broadcasting, real-time broadcasting, and alarm-linked broadcasting. This device does not require the purchase of additional management software and is fully suitable for the deployment needs of various small-scale projects.



INSTALLATION

unit:mm

