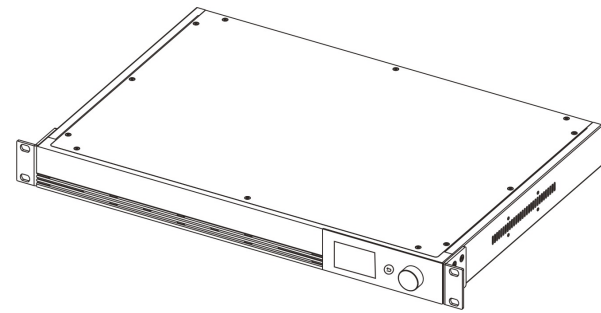


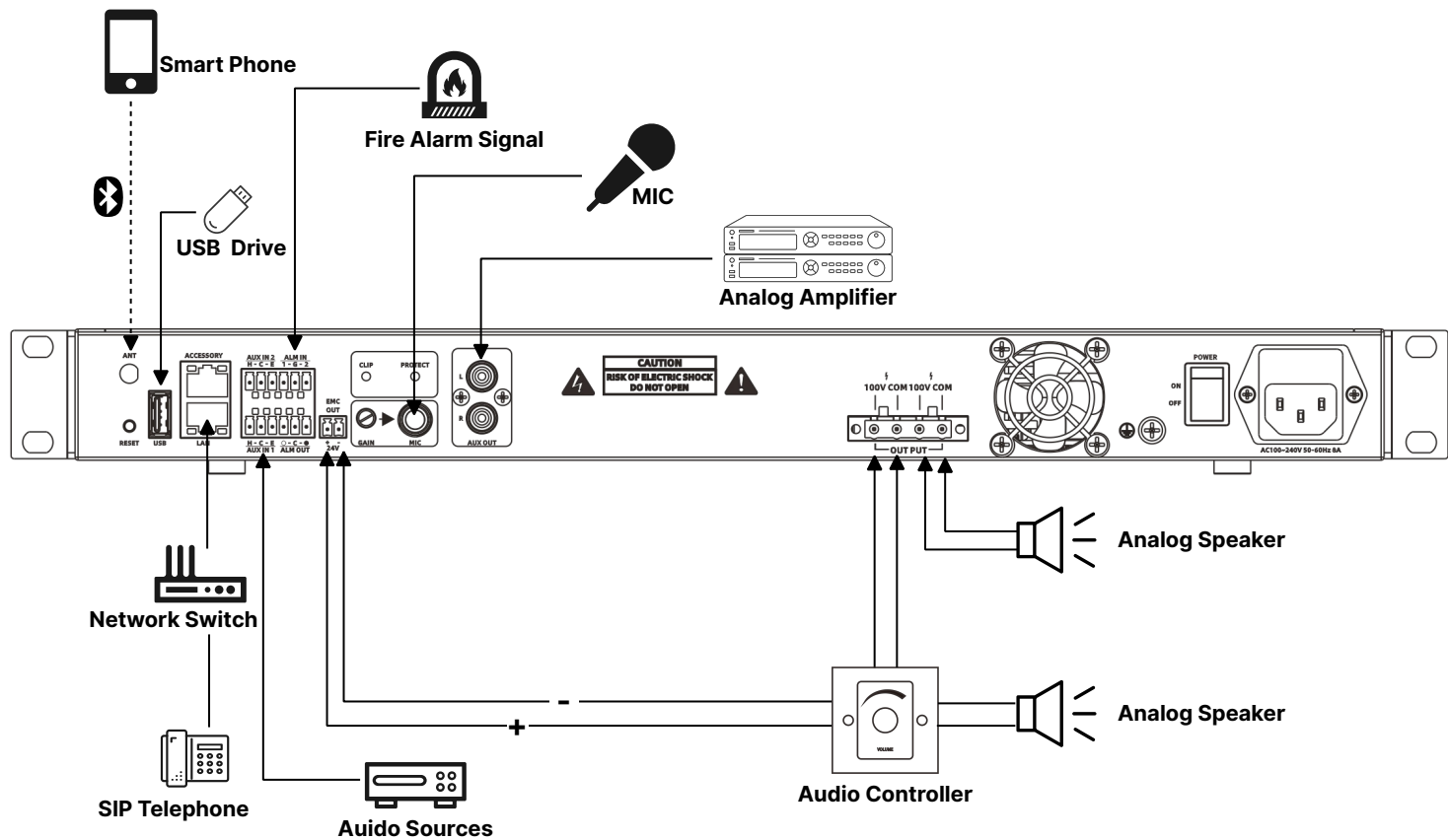
INSTALLATION GUIDE

Network Integrated Amplifier GEN-5301P Series



www.sponcomm.com

CONNECTION DIAGRAM



Preamble

This document includes key points of network audio products (interface, configuration, appearance, dimensions, installation, safety & usage) for users/installers/maintenance personnel. Read carefully before use and retain. Company reserves the right to update without notice. Technical details subject to company's final interpretation. Specifics refer to the actual product.

Safety Instructions for Use

- **Installation/Storage:** Keep away from heat, moisture, flammables and corrosives; do not stack heavy objects on it; power off before long-term storage.
- **Power Supply:** Use only compatible AC 220V power adapters; non-compatible adapters are prohibited.
- **Operation:** Do not touch the device with wet hands; do not plug/unplug cables during thunderstorms; ensure proper grounding.

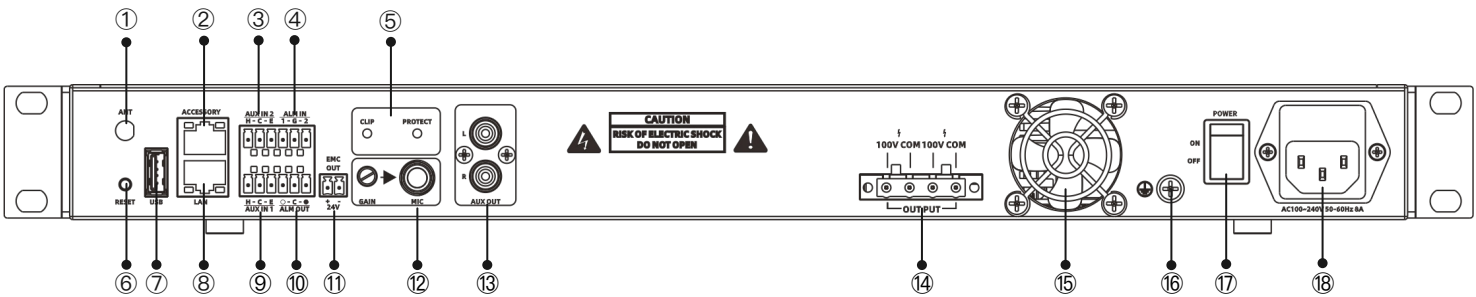
Device Terminal and Wiring Instructions

【Front Panel】



- ① **Display Screen:** Displays information including network parameters.
- ② **Back Button:** Views parameters on the display screen and returns to the previous menu.
- ③ **Shuttle Knob:** Used for menu selection on the display screen; press to enter the selected menu.
- ④ **Indicator Light:** Illuminates steadily by default; flashes when receiving a task.

【Rear Panel】



- ① **Antenna Interface:** External Bluetooth Antenna.
- ② **Accessory Interface:** Reserved.
- ③/⑨ **Audio Input Interface:** For external audio source connection and local sound reinforcement (H:Hot end;C:Cold end;E:Earth end).
- ④ **Alarm Input Terminal:** Used for receiving external dry contact signal triggers. Configurable Interlinked Tasks, including: Pattern, Broadcast disable.
- ⑤ **Power Amplifier Status Indicators:**
CLIP: Red light keeps on when the input signal is oversize or output is overload.
PROTECT: The light keeps on under protection or malfunction status of the amplifier module.
- ⑥ **Reset Button:** Press and hold the reset button for 10 seconds, then release. The device will automatically restart.
- ⑦ **USB Interface:** Supports USB drives in FAT32 format.
- ⑧ **RJ45 Connector:** Insert the network cable to connect to the Ethernet switch, so that the device can log in to the server normally.
- ⑩ **Alarm Output Terminal:** When a relevant task is received, it can trigger a short-circuit output signal. (●-NC:Normally Closed;C-COM:Common;O-NO:Normally Opened).
- ⑪ **24V Forced Trigger Output:** Maintains consistency with the alarm output status; when a relevant task is received, it can output a DC24V strong cut signal.
- ⑫ **MIC Input Interface:** Used for dynamic microphone connection and local sound reinforcement; the GAIN knob is used to adjust the MIC volume.
- ⑬ **Audio Output Interface:** Line output interface.
- ⑭ **Power Output Port:** Default constant voltage 100V output, support to set as 70V output on webpage.
- ⑮ **Cooling Fan:** When installing, ensure that the fan outlet is not blocked, and Ensure at least 10 cm of clearance around the fan outlet for proper ventilation.
- ⑯ **Ground Terminal:** To ensure the safety and reliability of the equipment, ground terminal must be connected to the earth.
- ⑰ **Power Switch:** Control the on & off of the power.
- ⑱ **Power Input Interface.**

Device Network Configuration

You can initialize the device and modify the IP address through the IP scanning configuration tool and WEB interface, and this article takes the IP scanning configuration tool as an example. Please contact the technical support to get the installation package, and please refer to the instruction manual of the WEB interface for the operation of the WEB interface.

- The default IP address of the device is 192.168.1.101, you need to make sure that the IP address of your PC is on the same network as the device when you use the WEB page to configure.
- Open the scanning tool and click Quick Scan.

Scan Configuration Tool

Serial	ID	Device Type	Firmware	Version	Terminal MAC	Terminal IP	Server IP
1	1	GEN-2001	Std_24_EN	V1.0.0	F4:15:35:01:02:03	192.168.1.11	192.168.1.13
2	2	GEN-3001	Std_24_EN	V1.0.0	F4:15:35:01:02:03	192.168.1.11	192.168.1.13
3	3	GEN-3102	Std_24_EN	V1.0.0	F4:15:35:01:02:03	192.168.1.11	192.168.1.13
4	4	GEN-6392	Std_24_EN	V1.0.0	F4:15:35:01:02:03	192.168.1.11	192.168.1.13
5	5	GEN-6011	Std_24_EN	V1.0.0	F4:15:35:01:02:03	192.168.1.11	192.168.1.13

- Click [Config] from the sidebar and then check the end devices to be configured.
- Open the scanning tool and click Quick Scan.
- Configure according to on-site requirements: ID, terminal IP, server IP, gateway IP, subnet mask. Click [OK], the configuration will be automatically delivered, and the device will automatically restart after completing the configuration.

Scan Configuration Tool

Basic Parameters	Extended Parameters
Terminal MAC: F4:15:35:01:02:03	ID: 11
Server IP: 192.168.1.13	Gateway IP: 192.168.1.1
SIP Server Port: 5060	NAS Server Port: 2048
Backup Terminal Port: 2048	Terminal Port: 5060
OK	

WEB Login Example

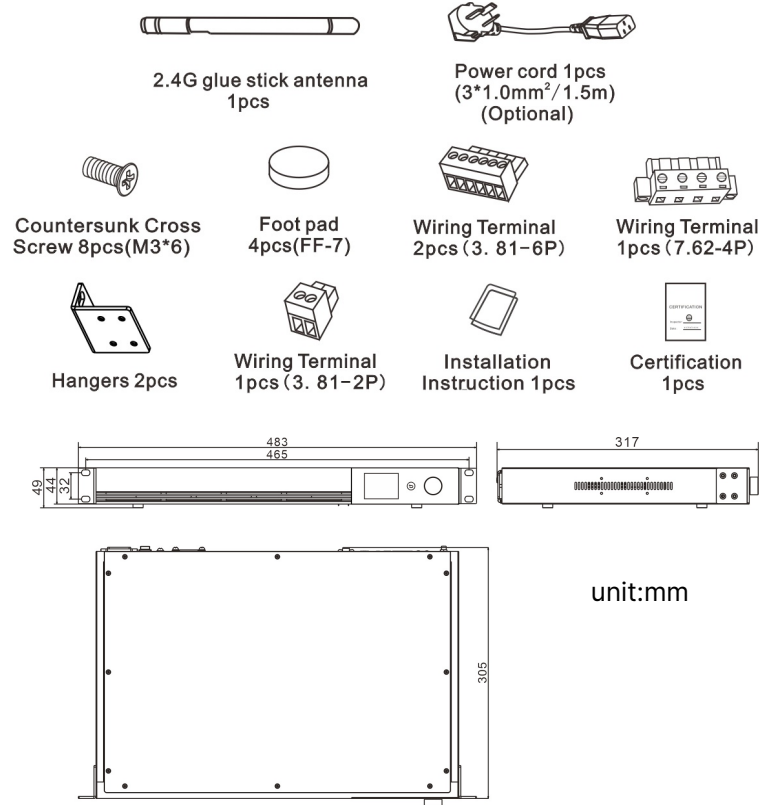
- Open the browser, enter the IP address of the device in the address bar, and press Enter.
- Input user name and password, Default username and password are both admin
- Click the Login button to complete the login

← →

Default User Name: admin →

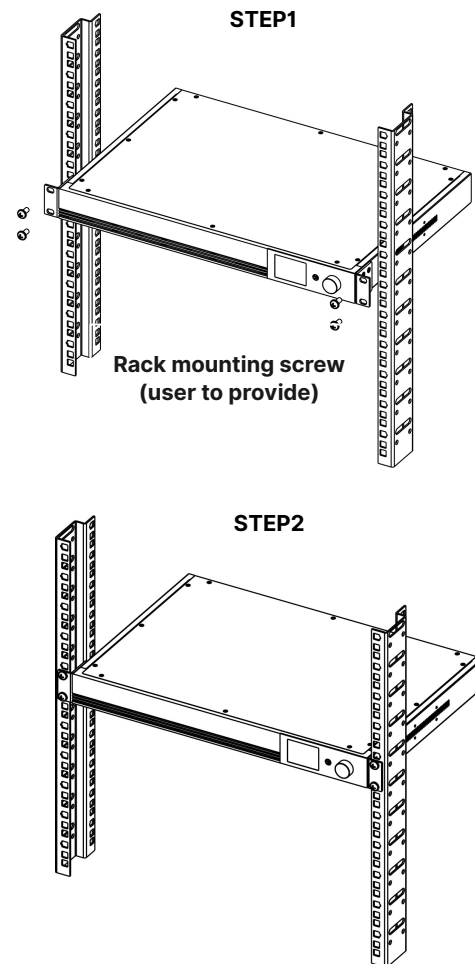
Default Password: admin →

Product Packing List& Dimensions



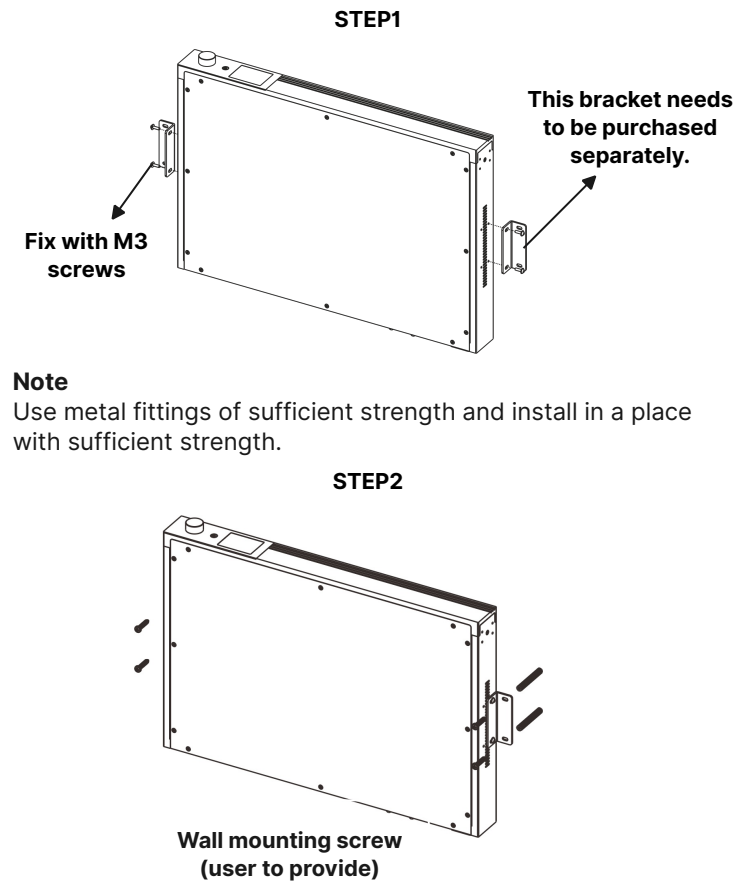
Installation Scenario

[Mounting on the rack]



[Mounting on the wall]

Prepare a commercially available L-shaped bracket, etc., and fix it with the accessory screws using the four screw holes of this unit.



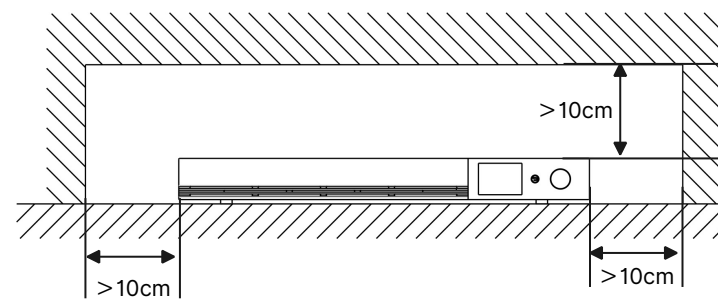
Note

Use metal fittings of sufficient strength and install in a place with sufficient strength.

[Desktop Installation]

NOTE

To prevent the internal equipment temperature from rising, please keep a 10cm distance between all sides of the device and other objects; otherwise, air circulation may be blocked.



FAQ

○ Forget IP

- Use ip scanning configuration tool to configure parameters
- Long press the reset button of the device for 10s and then release it, the device will restart automatically after successful reset (IP after reset: 192.168.1.101)

○ Forgot WEB Password

- Long press the reset button of the device for 10s and then release it, the device will restart automatically after successful reset (Password after reset: admin)

○ Unable to Log in to the Server

- Check whether the IP of the device and the IP of the server can communicate and whether the network cable is good.
- Check the correctness of the user name or password.
- Check whether the device account has server-related privileges.

○ Unable to Connect to Bluetooth or Bluetooth Playback

Sound Jams

- check whether to open the device Bluetooth function (need to go to the device WEB page to open, the default off)
- Check whether the name of the cell phone connection Bluetooth is correct (you can go to the device WEB page settings)
- equipment and cell phones or other Bluetooth signal is not good, you can try to try to connect in close proximity.

SPON | CHINA

We provide you with more convenient services. Please contact us through the following ways to obtain more information.

- ☎ Tel:+86 731 8557 0190
- ☎ Mob/WhatsApp:+86 138 7314 3517
- ✉ Company Email:inquiry@sponcomm.com
- 📍 Address:No.70, Nantang Road, High-tech Zone, Changsha, China.

Since 2004, SPON has been a leading IP Audio solution provider in China, initially focusing on education and now serving diverse industries like finance, transportation, and public spaces. Our product portfolio includes IP Public Address Systems, IP Intercom Systems, Digital Conference Systems, and Surveillance Microphone Systems, all adhering to international standards such as 3C, CE, SRRC, ISO 9001, and ISO 14001. At SPON Communications, our mission is to be a globally trusted leader in IP audio solutions, delivering innovative and reliable products that meet customer needs and advance intelligent audio communication.

